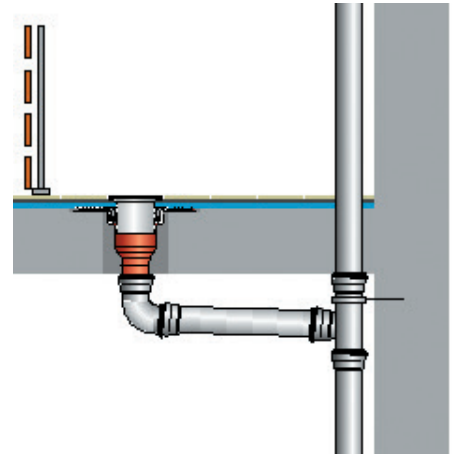


Specification Sheet LX 970

Balcony Drainage

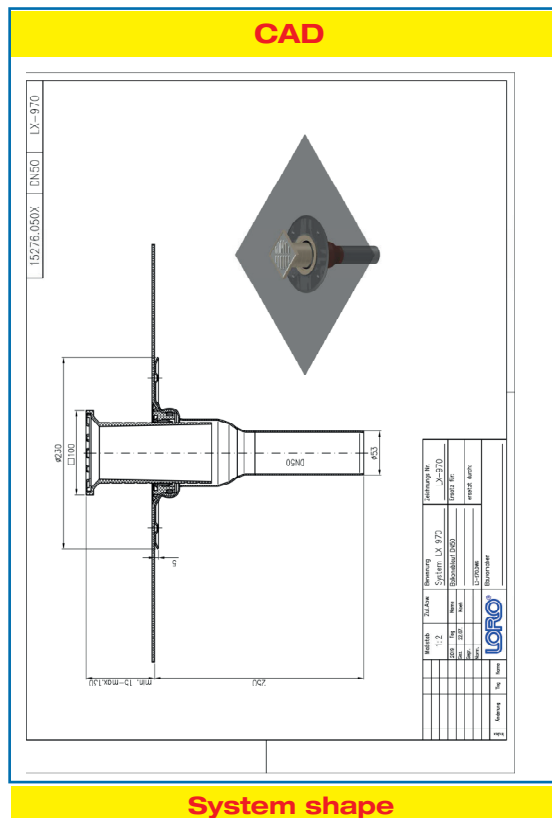
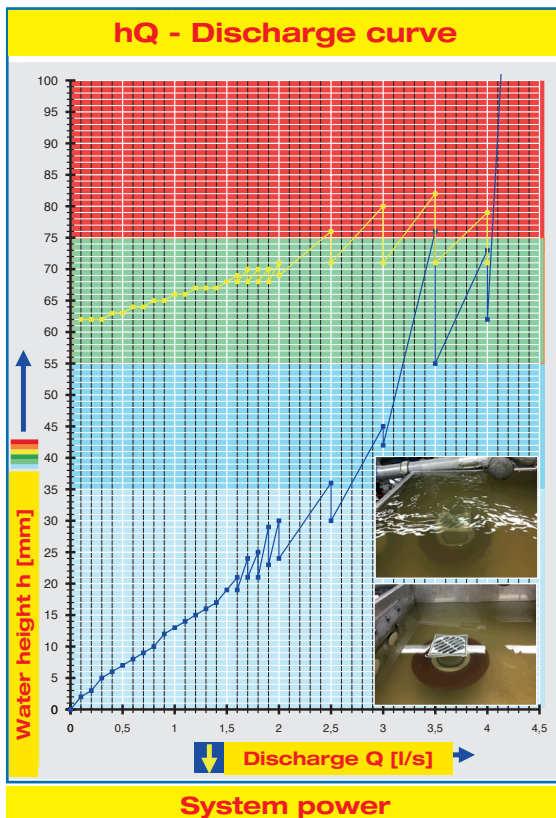
Series FF, vertical runoff, for balcony floors



Main drainage	
Gravity flow	
Silent Power	
Discharge:	2.45 l/s
Water height:	35 mm
Roof penetration:	140 mm
Diameter:	DN 50
LX-Number:	LX 970
Weir height:	0 mm
Drain:	ventilated
Downpipe:	not ventilated
Downpipe height:	2.75 m
Drainage:	into ground pipe
Flange:	connecting sleeve

LX 970 Piece list

- 1 x Art.-No. Choose drain on page 2!
- 1 x Art.-No. 00911.050X, LORO-X Sealing elements
- 1 x Art.-No. 00986.000X, LORO-X Lubricant



Water height	mm	10	15	20	25	30	35	40	45	50	55	60	65	70	75	80	85	90	95
Discharge	l/s	0,8	1,2	1,55	1,8	2,2	2,45	2,8	3,0	3,1	3,2	3,25	3,3	3,4	3,5	4,0			
Silent																			

Please choose a suitable drain!

DN 50

with strainer unit for balcony floors
without thermal insulation

LX970-12X

Drain Art.-No. 15276.050X

with connecting sleeve,
Series FF

weight: 1.7 kg

